

---

# HYPER SCADA SERVER (HSS001)

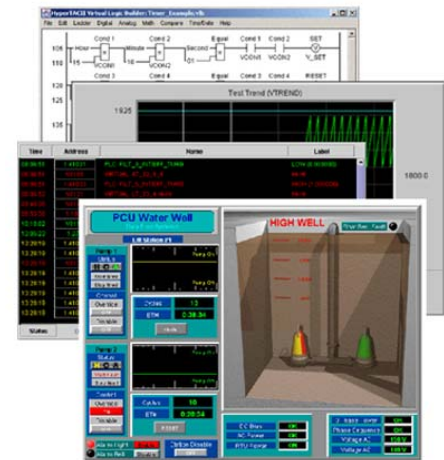
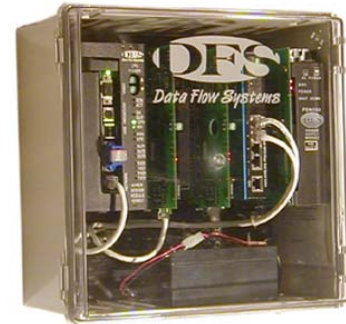
---

DATA FLOW SYSTEMS IS PROUD TO INTRODUCE A REVOLUTIONARY APPROACH TO THE SCADA SERVER – A SELF-CONTAINED, MODULARIZED, SCADA SERVER PACKAGED IN A PROTECTIVE WALL-MOUNTED ENCLOSURE.

The HSS001 is the baseline model of a line of state-of-the-art network-based SCADA system servers offered by Data Flow Systems.

With support for up to four independent radio frequencies, up to 2,020 Remote Terminal Units (RTUs), and several communication protocols, our SCADA servers are ready to operate right out of the box. The self-contained design of our SCADA system servers isolates the critical remote equipment polling, data collection, storage, and information serving functions from the operator interface using Client-Server Architecture. Data is readily available to operators, supervisors, and managers throughout the utility, enabling them to make fast and effective decisions.

The Hyper SCADA Server offers the power and speed of networking, stability and reliability that you expect in a server and the versatility to expand without costly license upgrades. All SCADA Software upgrades are provided free of charge for the life of the system.



---

## FEATURES AT A GLANCE

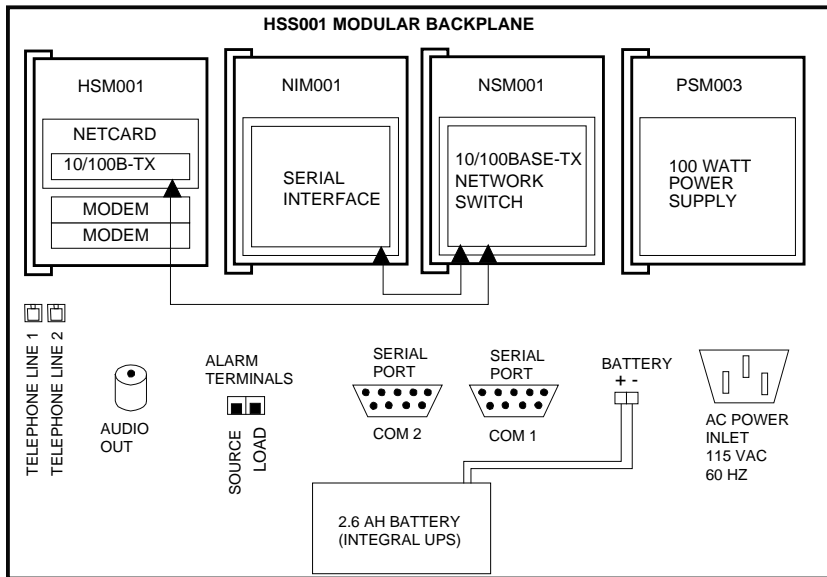
- 13"x13"x7" NEMA 4X Fiberglass Enclosure
- Hyper Server Module
- Network Switch Module
- Network Interface Module (Serial Interface)
- HT3 SCADA Software Program
- HT3 Mobile (optional)
- Browser-Based HMI Software
- Virtually Unlimited Client Software Licenses
- MySQL Software Program
- SQL-Based Historical Database
- Compatible with ODBC Compliant Applications
- Canned Reports & Data Trending Software
- Ladder Logic Building Software
- Graphical Screen Building Software
- Automatically Creates Default RTU Screens
- System Partitioning Software
- Integrated 411 Information Dial-In Function
- Integrated 911 Voice Alarm Dial-Out Function
- RCA Audio Connector & Alarm Relay Terminal
- Integrated Uninterruptible Power Supply (UPS)
- Two Driver-Configurable 9-Pin Serial Ports
- 10/100 Mbps Ethernet Interface
- Modbus & DFS Communication Protocols
- Listed to UL 60950 for Information Technology Equipment



## SPECIFICATIONS

Model	HSS001
Enclosure Size	13"W x 13"H x 7"D
Supply Voltage	115 VAC - 60 Hz
Power Consumption	100 Watts
Environment	41° -86° F (5° - 30° C) Moisture-Free
Network Interface	10/100base-TX
Network Protocol	TCP/IP
Dial-up Connection	PPP
Communication Protocols	DFS TAC II, DFP (DFS' new high speed protocol), Modbus ASCII, Modbus RTU, Modbus TCP

## HARDWARE DIAGRAM



## WARRANTY

This product carries a one (1) year return-to-factory warranty against defects in material and workmanship. When installed with factory recommended surge protection, the return-to-factory warranty is extended to three (3) years and is also covered against damage due to lightning and surge. DFS will repair or replace at its option, F.O.B. Melbourne, Florida, any part or parts of this product during the warranty period. A Return Authorization (RA) must be obtained by contacting the DFS Factory Repair Center at 321-259-5009 or by email at [rma@dataflowsys.com](mailto:rma@dataflowsys.com).