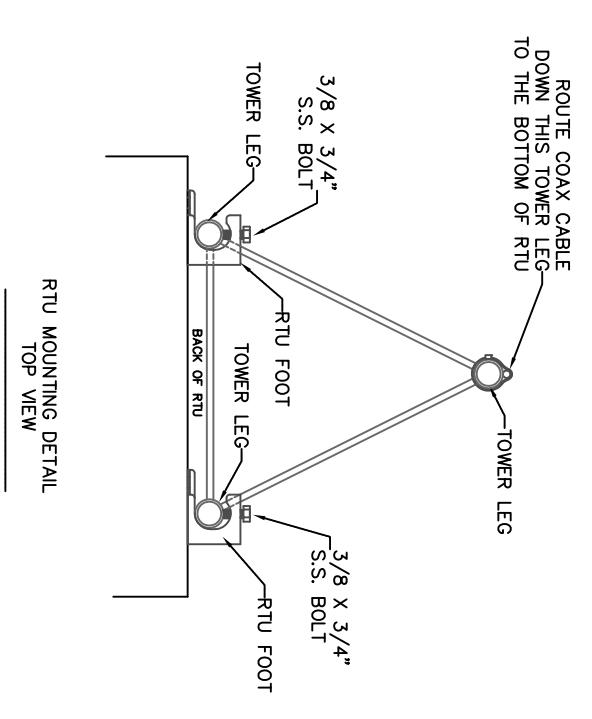
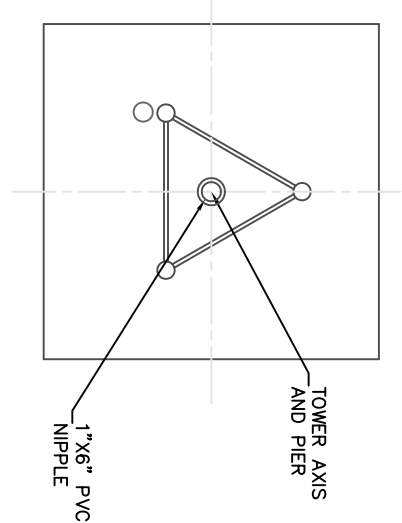
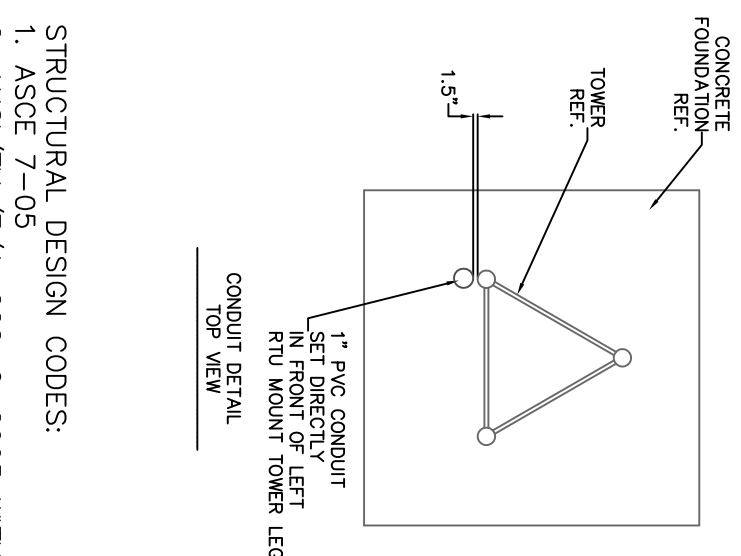
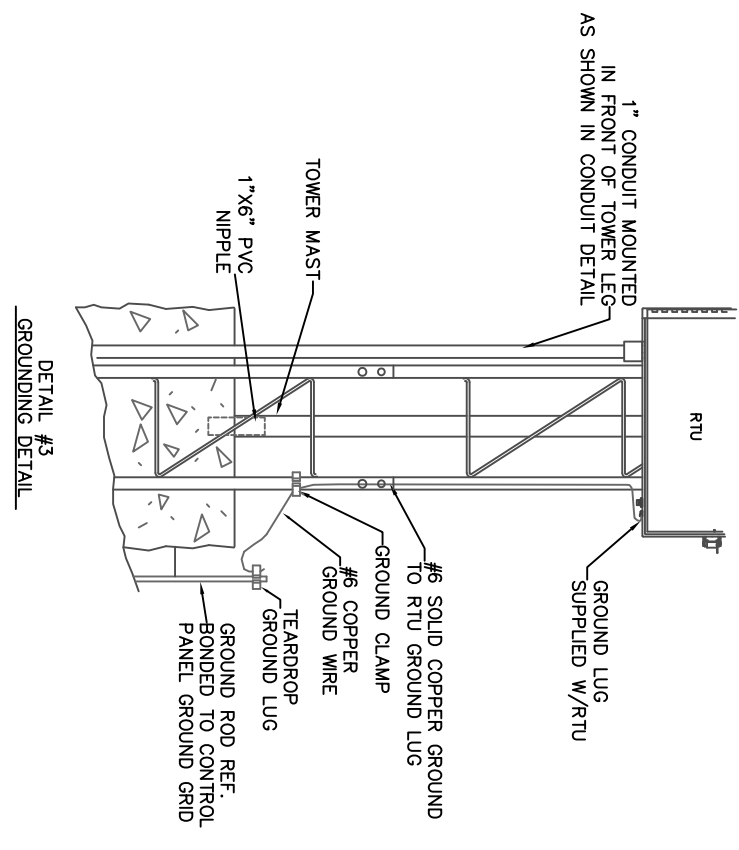
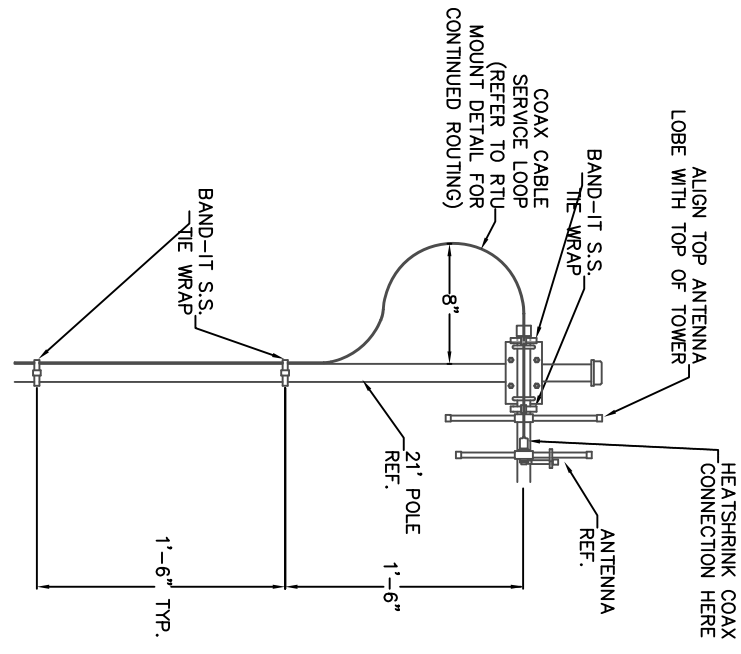
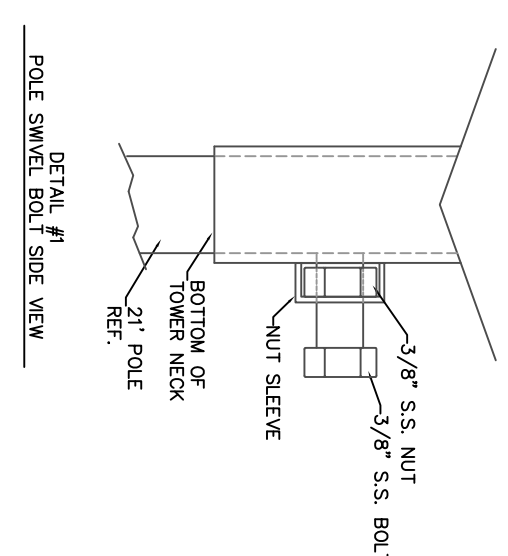
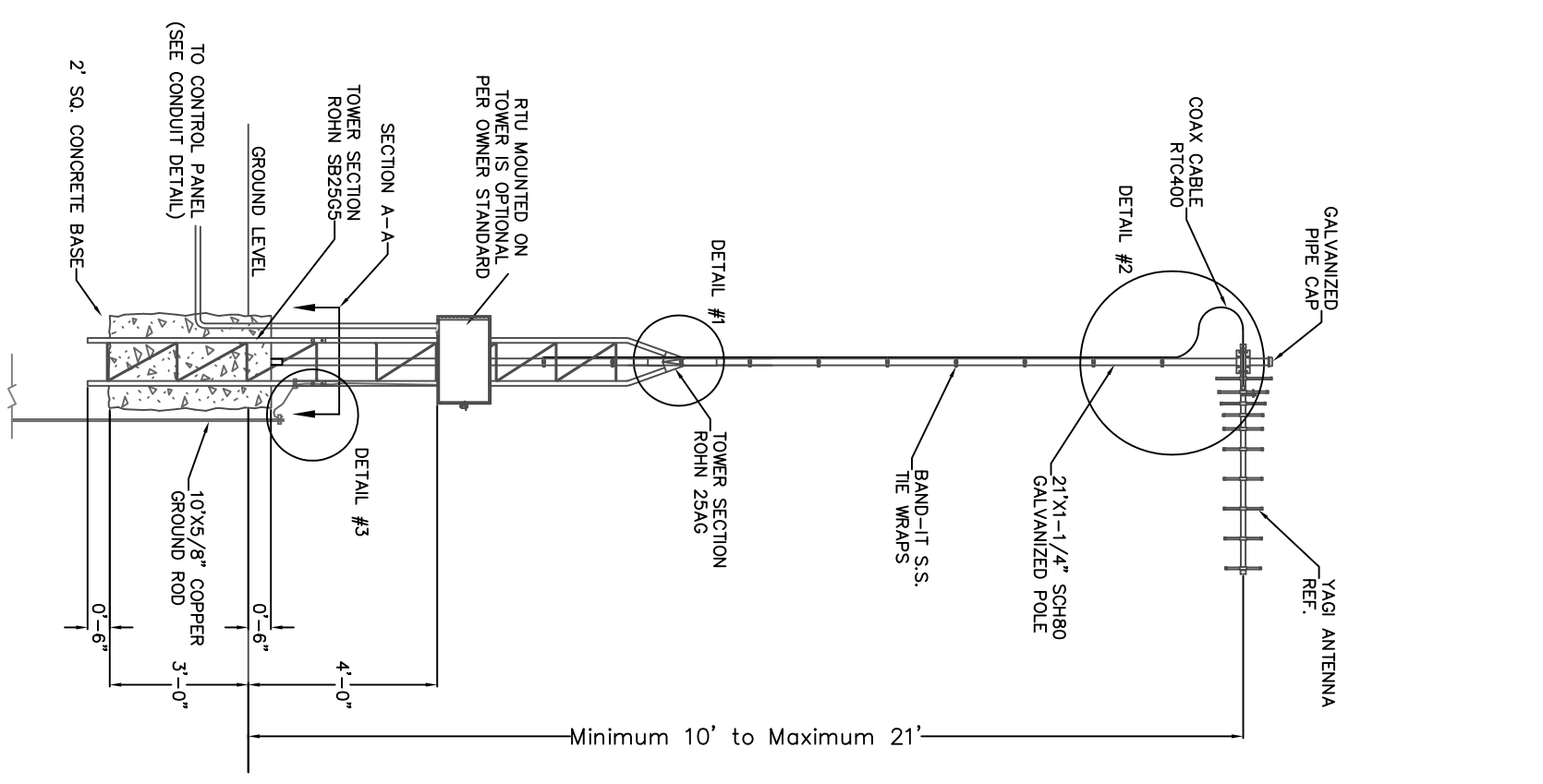


REVISIONS				
ZONE	REV	DESCRIPTION	DATE	APPROVED



- STRUCTURAL DESIGN CODES:
1. ASCE 7-05
  2. ANSI/TIA/F/A-222-G-2005 WITH ADDENDUM 1
  3. FLORIDA BUILDING CODE 2007 WITH 2009 SUPPLIMENTS
  4. EXPOSURE C

**Mc** MCCARTHY ENGINEERING, INC.  
 STRUCTURAL CONSULTANTS  
 2225 EAST EDGEWOOD DRIVE, SUITE 4 • LAKELAND, FL 33803-3643  
 PHONE (883) 667-1769 • FAX (883) 667-1790  
 CERTIFICATE OF AUTHORIZATION No. 6394  
 William J. McCarthy P.E. 24553

**DFS**  
**Data Flow Systems, Inc.**

21' TOWER ASSEMBLY, 120MPH RATING (3 SEC GUST)  
 CITY/COUNTY

DRAWN: MCV  
 DATE: 1 FEB 2010

SIZE  
 DWG. NO. DFS-00353-008-08  
 SCALE  
 SHEET 1 OF 1

P.N. 010005