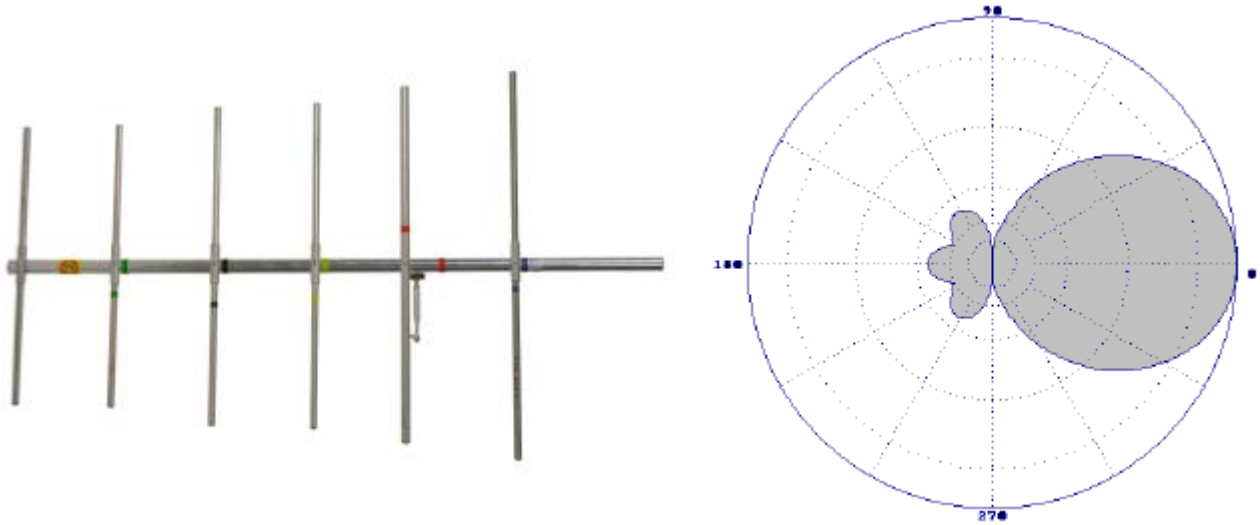

HIGH GAIN YAGI ANTENNA

THE HIGH GAIN RTA209A YAGI IS A SMALL, LIGHTWEIGHT, AND DURABLE ANTENNA THAT IS IDEAL FOR SCADA APPLICATIONS. MADE OF ALUMINUM MATERIAL, THE ANTENNA FEATURES WELDED ELEMENT CONSTRUCTION AND IS ABLE TO WITHSTAND A HARSH COASTAL SALTWATER ENVIRONMENT.

----- RTA209A - SIX ELEMENT YAGI ANTENNA -----



TECHNICAL SPECIFICATIONS

Electrical Data:

Frequency.....217-220 MHz
Bandwidth.....8 MHz
VSWR.....1.5 to 1 (or less)
Impedance.....50 Ohms
Forward Gain.....9.5 dB
Front to Back Ratio.....20
Lightning Protection.....Direct Ground
Power Handling.....300 Watts
RF Connection.....Type N Female

Mechanical Data:

Material.....Aluminum
Boom Size.....1" Tube
Element Size.....½" Tube
Element Connection.....Welded
Pole Mounting Bracket.....Up to 1.25"
Mounting Bracket Material.....Stainless Steel
Wind Survival.....100 MPH
Overall Length.....42"
Weight.....5 Pounds

WARRANTY

This product carries a three (3) year return-to-factory warranty against defects in material and workmanship. DFS will repair or replace at its option, F.O.B. Melbourne, Florida, any part or parts of this product during the warranty period. A Return Authorization (RA) must be obtained by contacting the DFS Factory Repair Center at 321-259-5009 or by email at rma@dataflowsys.com.

